

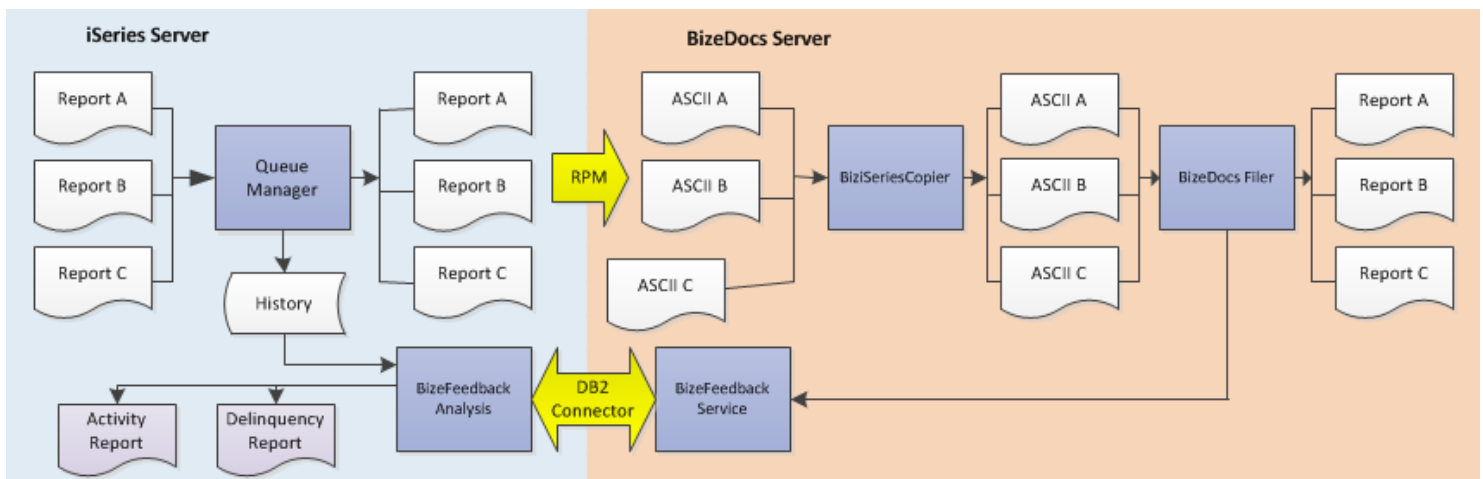
## BizeDOCS Electronic Document Management

Provides modular applications to address specific business needs

### Signature Report Archive

Archive reports direct from the iSeries job queues

BizeDocs provides a seamless interface to Signature to archive IBM iSeries spooled files direct to the BizeDocs repository. The report capture and archive process uses a number of BizeDocs applications specifically developed for Signature reports. This process continually replicates reports from the iSeries job queues to the BizeDocs repository providing users with an efficient way to access and view reports.



**Queue Manager** - replicates spooled files from their existing locations on the iSeries to secondary remote output queues directed to the BizeDocs server. Queue Manager also keeps an internal record of all output processed, which is then used by BizeFeedback to identify whether or not reports have been processed successfully into the archive.

**BizSeriesCopier** - moves the files from the Remote Print queues to the relevant download directory for filing into the BizeDocs archive. As part of the move process it also rationalises any overprinting/underlining in the file enabling clear text output.

**BizeFeedback** - performs analysis on data recorded by Queue Manager and BizeDocs Filer to identify 'delinquent reports' and confirmation of reports filed into the BizeDocs archive, allowing successfully archived spooled files to be deleted from the iSeries queues.

**BizeWeb** - provides the user interface to all documents in the BizeDocs repository. The report viewer allows users to view, print, extract and save all or part of the report to xls or csv format. BizeWeb also provides powerful search and annotation functionality.